

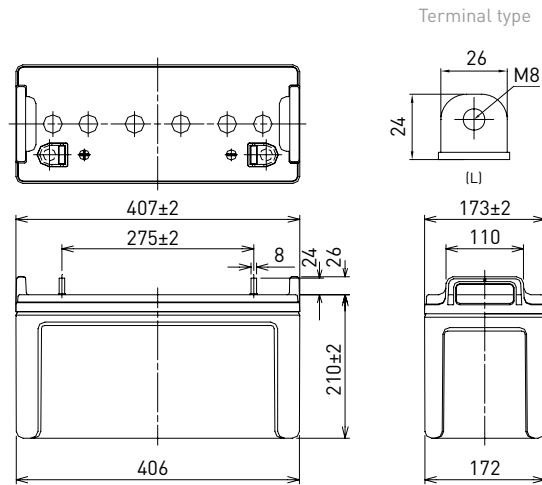
# LC-P12120P

FOR STANDBY POWER SUPPLIES.  
 EXPECTED TRICKLE DESIGN LIFE: 10 – 12 YEARS AT 20°C  
 ACCORDING TO EUROBAT.

## DIMENSIONS (MM)

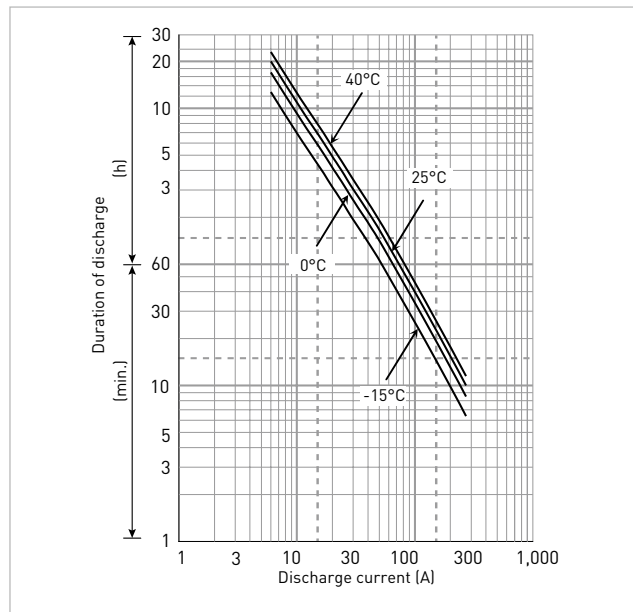


Contents indicated (including the recycle marking, etc.) are subject to change without notice. Battery case resin: flame-retardant (UL94 V-0)



Specifications		LC-P12120P
<b>Nominal voltage (V)</b>		12
<b>Nominal capacity</b>	20 hours rate (Ah)	120
<b>Dimensions</b>	Length (mm)	173
	Width (mm)	407
	Total height (mm)	236
<b>Approx. mass (kg)</b>		34.5
<b>Terminal type</b>		M8 bolt/nut
<b>Capacity (25°C)</b>	20 hours rate (Ah)	120
	10 hours rate (Ah)	110
	3 hours rate (Ah)	93
	1 hour rate (Ah)	85
<b>Impedance (mΩ)</b>	Fully charged battery (25°C)	4.5
	Temperature dependency of capacity (%) – 20 hours rate	
	40°C	102
	25°C	100
	0°C	85
	-15°C	65
<b>Remaining capacity (25°C)</b>	After 3 months (%)	91
	After 6 months (%)	82
	After 12 months (%)	64

## DURATION OF DISCHARGE VS. DISCHARGE CURRENT



## WATT TABLE (25°C)

(Wattage/battery)

Cut-off	5min.	10min.	15min.	20min.	30min.	45min.	1h	1.5h	2h	3h	4h	5h	6h	10h	20h
9.6V	3,603	2,883	2,296	2,036	1,409	1,095	835	663	499	326	261	197	179	104	60.2
9.9V	3,537	2,849	2,285	2,024	1,370	1,062	820	662	486	322	255	191	177	103	60.1
10.2V	3,309	2,776	2,273	2,001	1,322	1,040	805	642	479	315	249	185	168	102	60.0
10.5V	3,020	2,572	2,148	1,907	1,316	1,025	779	629	470	310	246	184	166	101	60.0
10.8V	2,916	2,294	2,079	1,861	1,281	980	756	559	458	306	240	180	163	99.8	59.9

## AMPERE TABLE (25°C)

(Ampere/battery)

Cut-off	5min.	10min.	15min.	20min.	30min.	45min.	1h	1.5h	2h	3h	4h	5h	6h	10h	20h
9.6V	361	271	211	181	139	105	86.9	59.3	47.9	32.1	23.7	20.6	17.4	11.1	6.00
9.9V	357	267	210	180	138	102	86.6	58.1	47.5	31.5	23.4	20.4	17.3	11.1	6.00
10.2V	348	261	209	178	136	97.0	85.9	57.7	46.9	31.2	23.2	20.0	17.2	11.0	6.00
10.5V	322	241	198	170	134	92.0	85.4	56.9	46.3	31.0	23.0	19.9	17.1	11.0	6.00
10.8V	282	211	192	165	132	86.9	74.0	51.2	44.0	29.9	22.7	19.8	16.7	10.9	5.88

All mentioned values are average values

# LC-P12120P

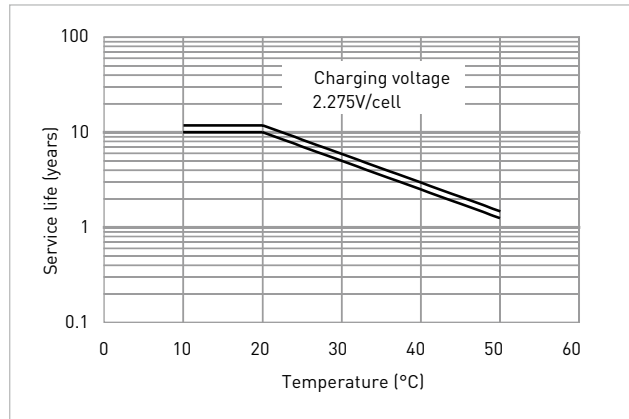
## CHARGING METHOD (25°C)

<b>Cycle use</b>	Control voltage: 13.6V - 13.8V Initial current: 18.0A or smaller
------------------	---

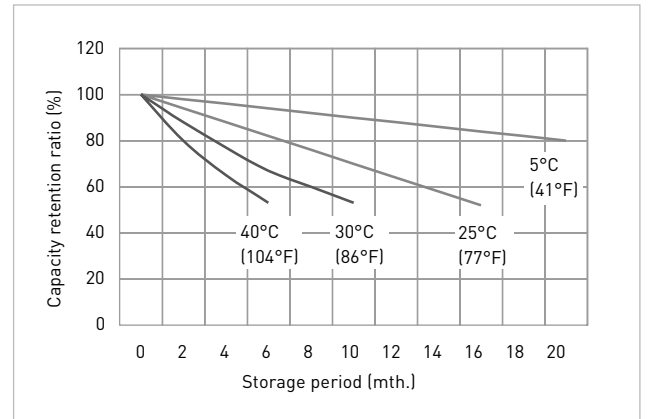
## CUT-OFF VOLTAGE

<b>Discharge current</b>	6.00A - 24.0A	24.0A - 60.0A	60.0A - 120A	120A - 240A	240A - 300A
<b>Cut-off voltage</b>	10.5V	10.2V	9.9V	9.3V	8.7V

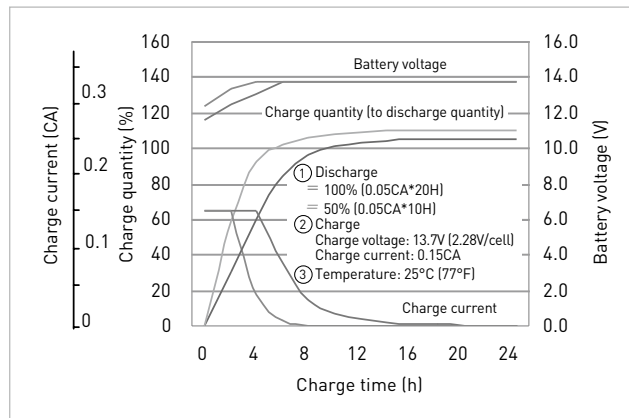
## INFLUENCE OF TEMPERATURE ON TRICKLE LIFE



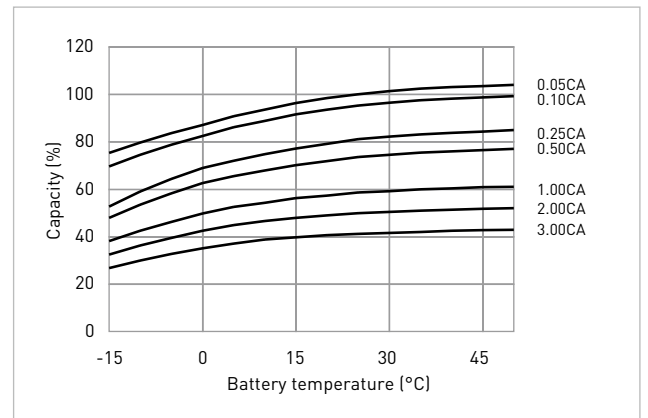
## RESIDUAL CAPACITY TEST RESULT



## CONSTANT-VOLTAGE CONSTANT-CURRENT CHARGE CHARACTERISTICS FOR TRICKLE USE



## DISCHARGE CAPACITY BY TEMPERATURE AND BY DISCHARGE CURRENT



## DISCHARGE CHARACTERISTICS

