

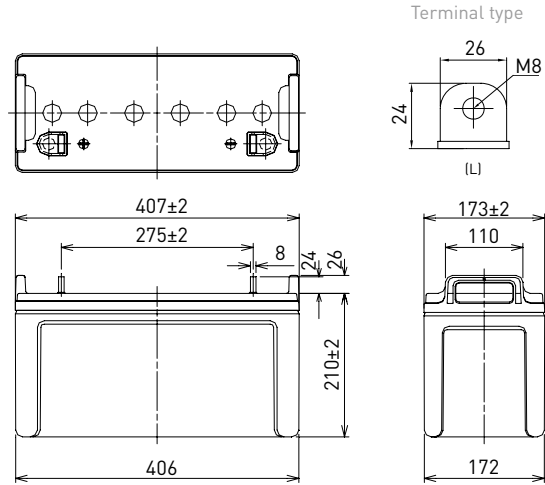
# LC-T12105P

FOR ENERGY STORAGE APPLICATIONS.  
CYCLE LONG-LIFE TYPE

## DIMENSIONS (MM)

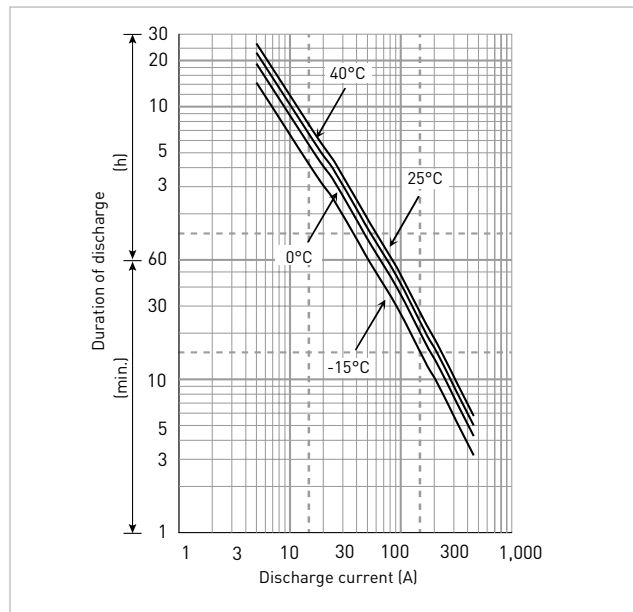


Contents indicated (including the recycle marking, etc.) are subject to change without notice. Battery case resin: standard (UL94 HB)



Specifications		LC-T12105P
<b>Nominal voltage (V)</b>		12
<b>Nominal capacity</b>	<b>20 hours rate (Ah)</b>	105
<b>Dimensions</b>	<b>Length (mm)</b>	173
	<b>Width (mm)</b>	407
	<b>Total height (mm)</b>	236
<b>Approx. mass (kg)</b>		34.0
<b>Terminal type</b>		M8 bolt/nut
<b>Capacity (25°C)</b>	<b>20 hours rate (Ah)</b>	105
	<b>10 hours rate (Ah)</b>	101
	<b>3 hours rate (Ah)</b>	84
	<b>1 hour rate (Ah)</b>	70
<b>Impedance (mΩ)</b>	<b>Fully charged battery (25°C)</b>	5
	<b>Temperature dependency of capacity (%) - 20 hours rate</b>	
	40°C	102
	25°C	100
	0°C	85
	-15°C	65
<b>Remaining capacity (25°C)</b>	<b>After 3 months (%)</b>	91
	<b>After 6 months (%)</b>	82
	<b>After 12 months (%)</b>	64

## DURATION OF DISCHARGE VS. DISCHARGE CURRENT



## WATT TABLE (25°C)

(Wattage/battery)

Cut-off	5min.	10min.	15min.	20min.	30min.	45min.	1h	1.5h	2h	3h	4h	5h	6h	10h	20h
9.6V	3,400	2,600	2,300	1,949	1,710	1,136	1,005.7	897.9	748.3	354.0	316.1	279.7	248.4	133.94	68.17
9.9V	3,301	2,524	2,233	1,892	1,660	1,103	976.4	871.8	726.5	343.7	306.9	271.6	241.2	130.03	66.19
10.2V	3,205	2,451	2,168	1,837	1,612	1,071	948.0	846.4	705.3	333.7	298.0	263.7	234.2	126.25	64.89
10.5V	3,111	2,379	2,105	1,784	1,565	1,040	920.4	821.7	684.8	324.0	289.3	256.0	227.4	122.57	63.00
10.8V	3,021	2,310	2,044	1,732	1,519	1,010	893.5	797.8	664.8	314.6	280.9	248.5	220.7	119.00	61.17

## AMPERE TABLE (25°C)

(Ampere/battery)

Cut-off	5min.	10min.	15min.	20min.	30min.	45min.	1h	1.5h	2h	3h	4h	5h	6h	10h	20h
9.6V	350	270	215	172	137	96	75.8	60.2	47.7	29.7	23.6	18.7	14.9	10.30	5.38
9.9V	340	262	209	167	133	94	73.6	58.4	46.4	29.1	22.9	18.2	14.4	10.15	5.28
10.2V	330	255	203	162	129	92	71.4	56.7	45.0	28.6	22.2	17.6	14.0	10.20	5.26
10.5V	320	247	197	157	125	90	70.0	55.1	43.7	28.0	21.6	17.1	13.6	10.10	5.25
10.8V	311	240	191	153	121	88	68.6	53.5	42.4	27.5	21.0	16.6	13.2	10.00	5.17

All mentioned values are average values

# LC-T12105P

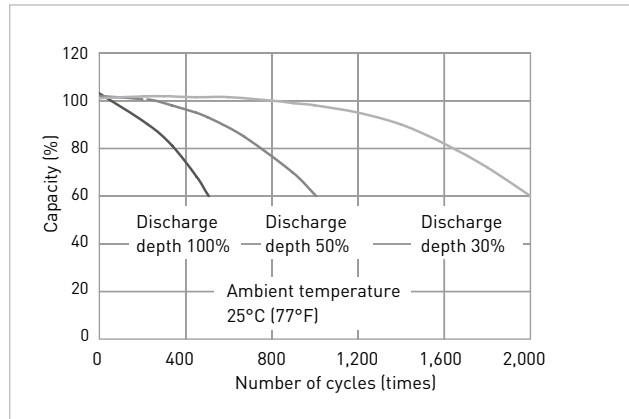
## CHARGING METHOD (25°C)

<b>Cycle use</b>	Control voltage: 14.5V - 14.9V Initial current: 42.0A or smaller
------------------	---

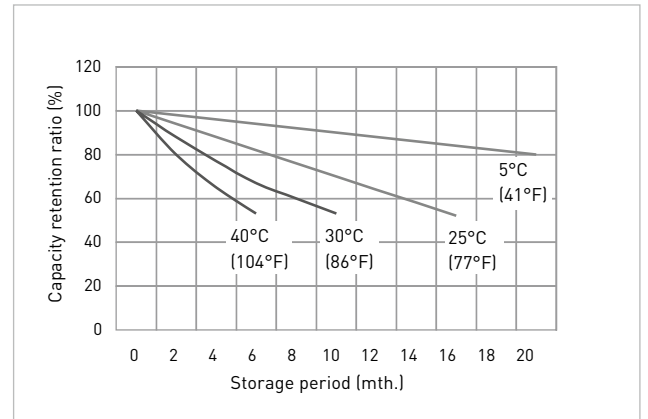
## CUT-OFF VOLTAGE

<b>Discharge current</b>	5.25A - 21.0A	21.0A - 52.50A	52.5A - 105A	105A - 210A	210A - 315A
<b>Cut-off voltage</b>	10.5V	10.2V	9.9V	9.3V	8.7V

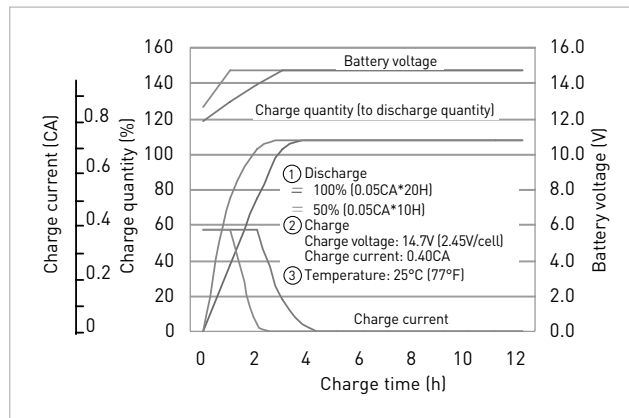
## CYCLE LIFE VS. DEPTH OF DISCHARGE (ACC. IEC 61056)



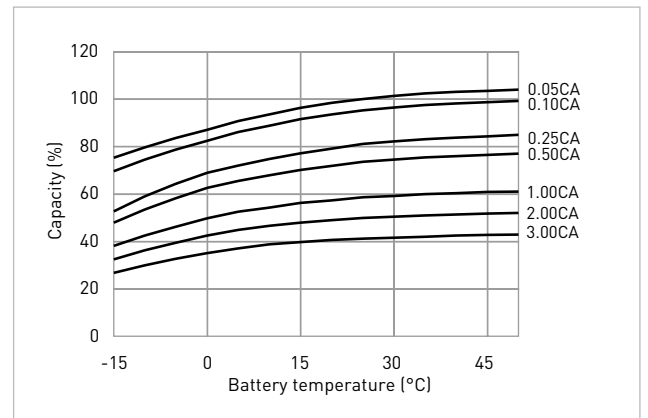
## RESIDUAL CAPACITY TEST RESULT



## CONSTANT-VOLTAGE CONSTANT-CURRENT CHARGE CHARACTERISTICS FOR CYCLE USE



## DISCHARGE CAPACITY BY TEMPERATURE AND BY DISCHARGE CURRENT



## DISCHARGE CHARACTERISTICS

