

CRV3

LITHIUM MANGANESE DIOXIDE



Features & Benefits

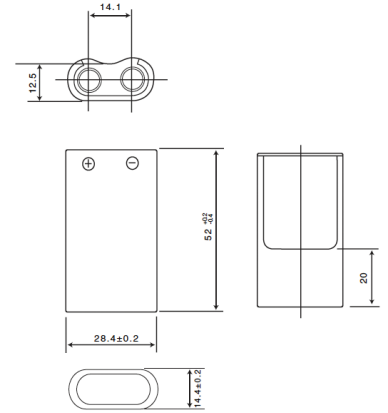
- Operating temperature range between -40° C to +70° C
- High current pulse discharge capability
- Stable voltage level during discharge
- High safety and reliability

Specifications

Nominal Capacity:	3000 mAh
Nominal Voltage:	3V
Weight:	Approximately 39g
Operating Temperature:	-40°C - +70°C*

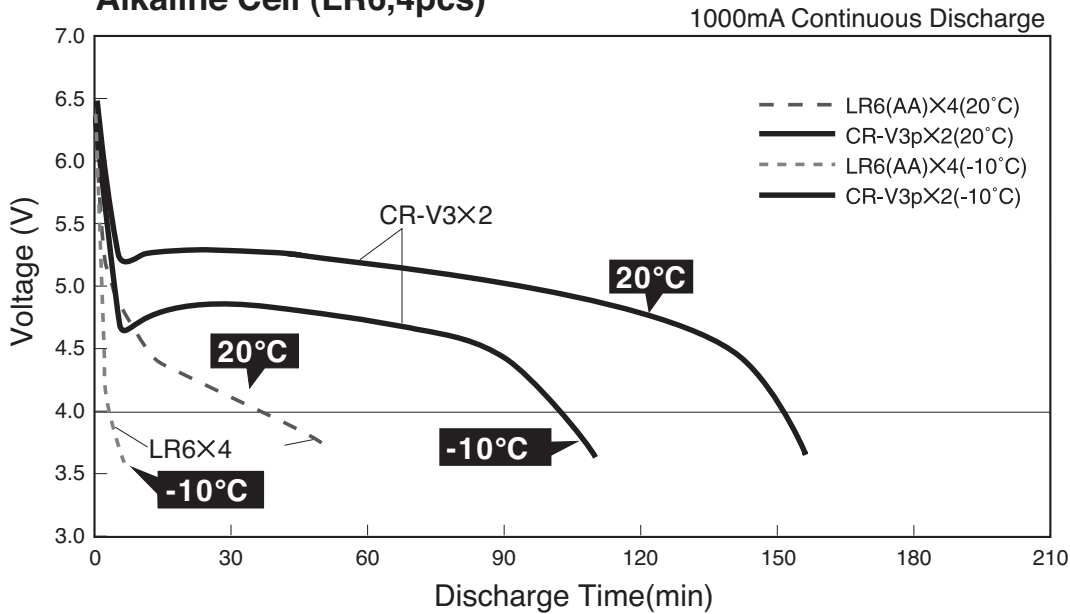
*Please consult Panasonic for use below and above -20°C to +60°C

Dimensions



Discharge Characteristics

Discharge Characteristics of CR-V3p(2pc)and" AA" Alkaline Cell (LR6,4pcs)



Lithium Manganese Dioxide/CRV3/Copyright©2015 Panasonic Corporation of America. All Rights Reserved.

For more information on how Panasonic can assist you with your battery power solution needs call **877-726-2228**, visit www.na.industrial.panasonic.com/products/batteries or e-mail oembatteries@us.panasonic.com.

The data in this document is for descriptive purposes only and is not intended to make or imply any guarantee or warranty.