

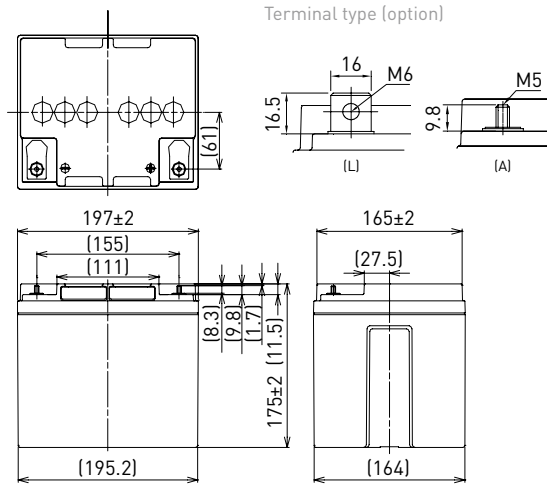
# LC-P1242P/AP

## DIMENSIONS (MM)



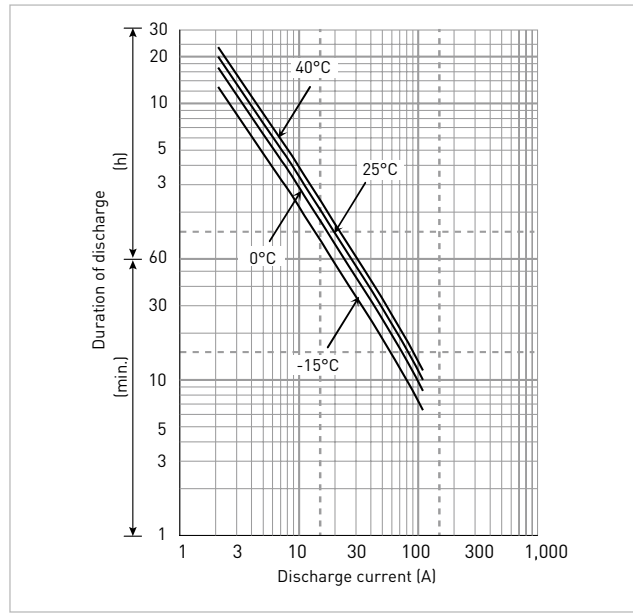
Contents indicated (including the recycle marking, etc.) are subject to change without notice. Battery case resin: flame-retardant (UL94 V-0)

FOR STANDBY POWER SUPPLIES.  
EXPECTED TRICKLE DESIGN LIFE: 10 – 12 YEARS AT 20°C  
ACCORDING TO EUROBAT.



Specifications		LC-P1242P/AP
<b>Nominal voltage (V)</b>		12
<b>Nominal capacity</b>	<b>20 hours rate (Ah)</b>	42.0
<b>Dimensions</b>	<b>Length (mm)</b>	165
	<b>Width (mm)</b>	197
	<b>Total height (mm)</b>	180/175
<b>Approx. mass (kg)</b>		13.5
<b>Terminal type</b>		M6 bolt/nut & M5 threaded post
<b>Capacity (25°C)</b>	<b>20 hours rate (Ah)</b>	42.0
	<b>10 hours rate (Ah)</b>	40.0
	<b>3 hours rate (Ah)</b>	32.0
	<b>1 hour rate (Ah)</b>	26.0
<b>Impedance (mΩ) Fully charged battery (25°C)</b>		10
<b>Temperature dependency of capacity (%) – 20 hours rate</b>	<b>40°C</b>	102
	<b>25°C</b>	100
	<b>0°C</b>	85
	<b>-15°C</b>	65
<b>Remaining capacity (25°C)</b>	<b>After 3 months (%)</b>	91
	<b>After 6 months (%)</b>	82
	<b>After 12 months (%)</b>	64

## DURATION OF DISCHARGE VS. DISCHARGE CURRENT



## WATT TABLE (25°C)

(Wattage/battery)

Cut-off	5min.	10min.	15min.	20min.	30min.	45min.	1h	1.5h	2h	3h	4h	5h	6h	10h	20h
9.6V	1,483	1,254	966	835	625	410	312	241	187	132	110	89.9	79.1	48.0	25.2
9.9V	1,405	1,232	955	824	607	407	310	234	186	130	109	89.4	78.5	48.0	25.2
10.2V	1,327	1,210	943	812	596	406	307	217	184	127	108	88.9	77.9	48.0	25.2
10.5V	1,249	1,176	920	800	585	405	306	211	179	126	107	88.5	76.7	48.0	25.2
10.8V	1,215	1,086	886	777	573	390	295	201	173	121	105	87.5	75.5	48.0	25.2

## AMPERE TABLE (25°C)

(Ampere/battery)

Cut-off	5min.	10min.	15min.	20min.	30min.	45min.	1h	1.5h	2h	3h	4h	5h	6h	10h	20h
9.6V	133	112	84.0	72.0	53.4	34.9	26.5	20.4	15.8	11.1	9.20	7.50	6.60	4.00	2.10
9.9V	126	110	83.0	71.0	51.9	34.7	26.3	19.8	15.7	10.9	9.10	7.46	6.50	4.00	2.10
10.2V	119	108	82.0	70.0	50.9	34.6	26.1	18.4	15.5	10.7	9.00	7.42	6.50	4.00	2.10
10.5V	112	105	80.0	69.0	50.0	34.5	26.0	17.9	15.1	10.6	8.90	7.38	6.40	4.00	2.10
10.8V	109	97.0	77.0	67.0	49.0	33.2	25.0	17.0	14.6	10.2	8.80	7.30	6.30	4.00	2.10

All mentioned values are average values

# LC-P1242P/AP

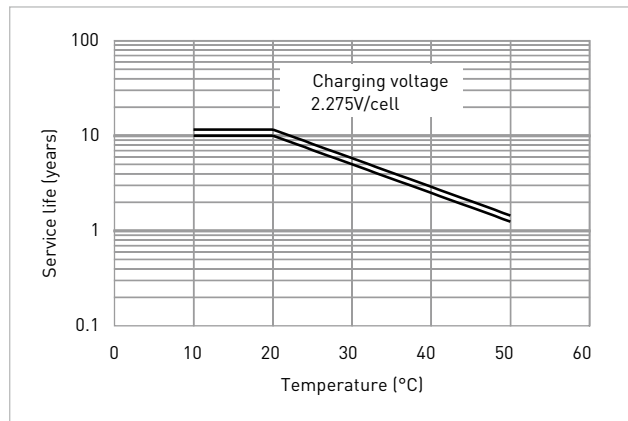
## CHARGING METHOD (25°C)

<b>Cycle use</b>	Control voltage: 13.6V - 13.8V Initial current: 6.30A or smaller
------------------	---

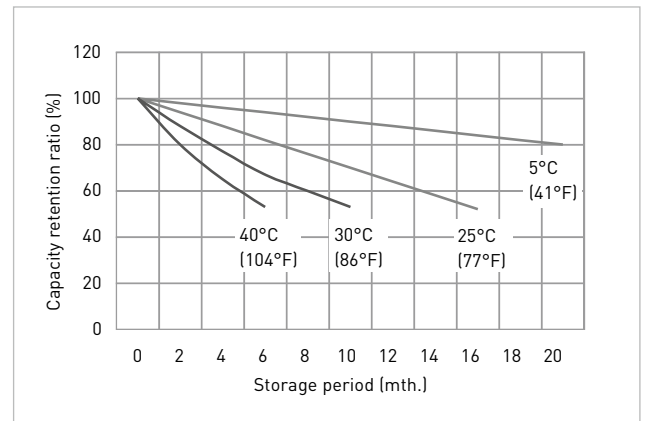
## CUT-OFF VOLTAGE

<b>Discharge current</b>	2.10A - 8.40A	8.40A - 21.0A	21.0A - 42.0A	42.0A - 84.0A	84.0A - 126A
<b>Cut-off voltage</b>	10.5V	10.2V	9.9V	9.3V	8.7V

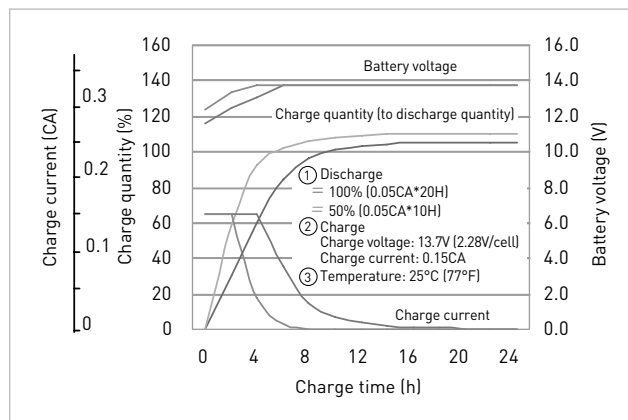
## INFLUENCE OF TEMPERATURE ON TRICKLE LIFE



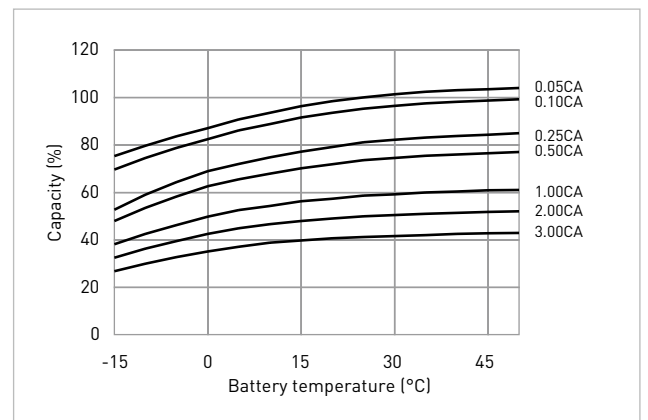
## RESIDUAL CAPACITY TEST RESULT



## CONSTANT-VOLTAGE CONSTANT-CURRENT CHARGE CHARACTERISTICS FOR TRICKLE USE



## DISCHARGE CAPACITY BY TEMPERATURE AND BY DISCHARGE CURRENT



## DISCHARGE CHARACTERISTICS

